

TK-4145TC-MC



Features and Functions

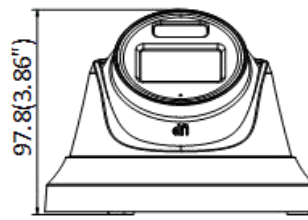
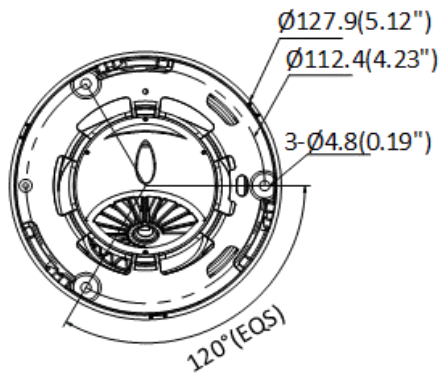
- H.265+/H.265/H.264+/H.264 encoding improves encoding efficiency and reduces data storage costs
- Up to 5MP resolution for recording
- 1 TB pre-installed HDD

| | |
|--------------------------|---|
| Kit model | TK-4145TC-MC |
| DVR model | DVR-204U-M1 |
| Camera model | 4 * THC-T259-MS |
| Camera | |
| Image Sensor | 3K CMOS |
| Signal System | PAL/NTSC |
| Resolution | 2960 (H) × 1665 (V) |
| Frame Rate | TVI: 3K @ 20 fps, 4 MP @ 25 fps/30 fps, 1080p @ 25 fps/30 fps AHD: 4 MP @ 25 fps/30 fps CVI: 4 MP @ 25 fps/30 fps CVBS: PAL/NTSC |
| Min. Illumination | 0.001 Lux @ (F1.0, AGC ON), 0 Lux with white light |
| Shutter Time | PAL: 1/25 s to 1/50,000 s;NTSC: 1/30 s to 1/50,000 s |
| Lens | 2.8 mm fixed focal lens |
| Field of View | 2.8 mm, horizontal FOV: 113°, vertical FOV: 62°, diagonal FOV: 137° |
| Lens Mount | M12 |
| Light Alarm | Solid Light Alarm (White Light) |
| Day & Night | 24/7 Color Imaging |
| WDR (Wide Dynamic Range) | Digital WDR |
| Angle Adjustment | Pan: 0° to 360°, Tilt: 0° to 75°, Rotation: 0° to 360° |
| Image | |
| White Light | Auto/Off |
| Image Mode | STD/HIGH-SAT/HIGHLIGHT |
| AGC | Yes |
| Day/Night Mode | Color |
| White Balance | Auto/Manual |
| AE (Auto Exposure) Mode | DWDR,BLC,HLC,Global |
| Noise Reduction | 2D DNR |
| Language | English |
| Function | Brightness,Sharpness,Anti-Banding |
| Lighting Mode | White Light |
| Interface | |
| Video Output | Switchable TVI/AHD/CVI/CVBS |
| General | |
| Operating Conditions | -40°C to 60°C (-40°F to140°F), Humidity: 90% or less (non-condensing) |
| Power Supply | 12 VDC±25% <i>*You are recommended to use one power adapter to supply the power for one camera.</i> |

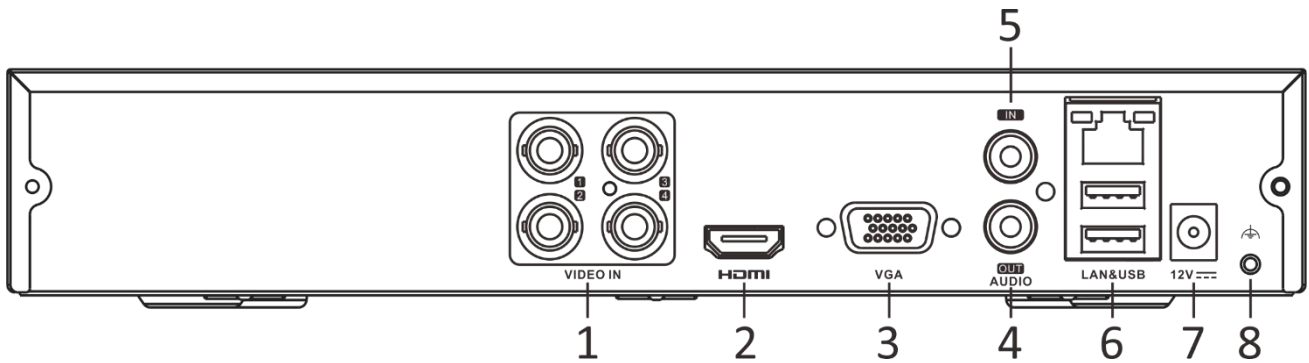
| | |
|-----------------------------|--|
| Consumption | Max. 4.2 W |
| Protection Level | IP66 |
| Material | Metal |
| White Light Range | Up to 40 m |
| Dimension | Φ 127.92 mm × 97.8 mm (Φ 5.04" × 3.86") |
| Weight | Approx. 480 g (1.06 lb.) |
| DVR | |
| Motion Detection 2.0 | |
| Human/Vehicle Analysis | Deep learning-based motion detection 2.0 is enabled by default for all analog channels, it can classify human and vehicle, and extremely reduce false alarms caused by objects like leaves and lights; Quick search by object or event type is supported; |
| Recording | |
| Video Compression | H.265 Pro+/H.265 Pro/H.265/H.264+/H.264 |
| Encoding Resolution | 8 MP/5 MP/3K/4 MP/3 MP/1080p/720p/WD1/4CIF/VGA/CIF |
| Frame Rate | Main stream: 8 MP@8 fps/3K@12 fps/5 MP@12 fps/4 MP@15 fps/3 MP@18 fps 1080p/720p/WD1/4CIF/VGA/CIF@25 fps (P)/30 fps (N) *: 8 MP@8 fps is only available for channel 1. Sub-stream: WD1/4CIF/CIF@25 fps (P)/30 fps (N) |
| Video Bitrate | 32 Kbps to 10 Mbps |
| Dual-stream | Support |
| Stream Type | Video, Video & Audio |
| Audio Compression | G.711u |
| Audio Bitrate | 64 Kbps |
| Video and Audio | |
| IP Video Input | 2-ch (up to 6-ch) Enhanced IP mode on: 4-ch (up to 8-ch), each up to 4 Mbps Up to 8 MP resolution Support H.265+/H.265/H.264+/H.264 IP cameras |
| Analog Video Input | 4-ch BNC interface (1.0 Vp-p, 75 Ω), supporting coaxitron connection |
| HDTVI Input | 8 MP@15 fps, 8 MP@12.5 fps, 3K@20 fps, 5 MP@20 fps, 5 MP@12 fps, 4 MP@30 fps, 4 MP@25 fps, 3 MP@18 fps, 1080p@30 fps, 1080p@25 fps, 720p@60 fps, 720p@50 fps, 720p@30 fps, 720p@25 fps |

| | |
|----------------------------|---|
| AHD Input | 5 MP@20 fps, 4 MP@25 fps, 4 MP@30 fps, 1080p@25 fps, 1080p@30 fps, 720p@25 fps, 720p@30 fps |
| HDCVI Input | 4 MP@25 fps, 4 MP@30 fps, 1080p@25 fps, 1080p@30 fps, 720p@25 fps, 720p@30 fps |
| CVBS Input | PAL/NTSC |
| HDMI Output | 1-ch, 1920 × 1080/60Hz, 1280 × 1024/60Hz, 1280 × 720/60Hz, 1024 × 768/60Hz |
| VGA Output | 1-ch, 1920 × 1080/60Hz, 1280 × 1024/60Hz, 1280 × 720/60Hz, 1024 × 768/60Hz |
| Video Output Mode | HDMI/VGA simultaneous output |
| Audio Input | 1-ch, RCA (2.0 Vp-p, 1 K Ω) 4-ch via coaxial cable |
| Audio Output | 1-ch, RCA (Linear, 1 K Ω) |
| Two-Way Audio | 1-ch, RCA (2.0 Vp-p, 1 K Ω) (using the first audio input) |
| Synchronous Playback | 4-ch |
| Network | |
| Total Bandwidth | 96 Mbps |
| Remote Connection | 32 |
| Network Protocol | TCP/IP, PPPoE, DHCP, HiLookVision, DNS, DDNS, NTP, SADP, NFS, iSCSI, UPnP™, HTTPS, ONVIF |
| Network Interface | 1, RJ45 10M/100M self-adaptive Ethernet interfac |
| Wi-Fi | Connectable to Wi-Fi network by Wi-Fi dongle through USB interface |
| Auxiliary Interface | |
| SATA | 1 SATA interface |
| Capacity | Up to 10 TB capacity for each disk |
| Alarm In/Out | N/A |
| USB Interface | 2 × USB 2.0 |
| General | |
| Power Supply | 12 VDC, 1.5 A |
| Consumption | ≤ 15 W (without HDD) |
| Working Temperature | -10 °C to +55 °C (+14 °F to +131 °F) |
| Working Humidity | 10% to 90% |
| Dimension (W × D × H) | 260 × 222 × 45 mm (10.2 × 8.7 × 1.8 inch) |
| Weight | ≤ 1.16 kg (without HDD, 2.6 lb.) |

▪ Dimension



unit: mm (inch)



| No. | Description | No. | Description |
|-----|----------------------------|-----|---|
| 1 | Video and coaxial audio in | 5 | AUDIO IN, RCA connector |
| 2 | HDMI interface | 6 | LAN network interface and USB interface |
| 3 | VGA interface | 7 | 12 VDC power input |
| 4 | AUDIO OUT, RCA connector | 8 | GND |

▪ **Accessory**

▪ **Optional**

| PC130T | CM | CBM | PM | WML |
|---|---|---|---|---|
| Pendant cap | Corner mount | Corner Base | Pole Mount | Wall Mount |
|  |  |  |  |  |